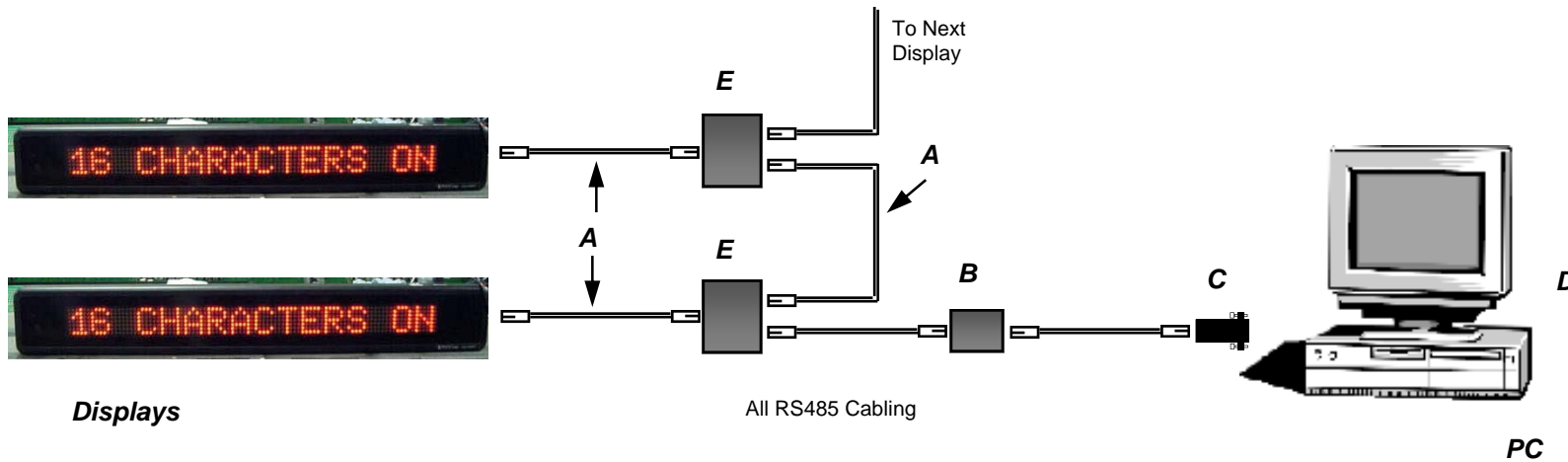


standard cabling configuration - RS485 - multiple displays

Configuration for Multiple Displays or Cabling in excess of 30 metres



By setting of Dip Switches, different messages can be sent to different displays, or same message to all.

Item	Part	Description	Notes
A		3 m Cable 10 m Cable 15 m Cable	Plugs into Display RJ45 Socket
B		RS485 Converter	
C		RJ45 - DB25 Adaptor	PC with 25 pin 232 port
		RJ45 - DB9 Adaptor	PC with 9 pin 232 port
D		Software running under Windows	
E		Splitter Box	

SINGLE LINE DISPLAYS

BI - LINE DISPLAYS

MULTI LINE DISPLAYS